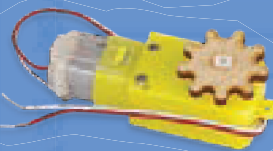
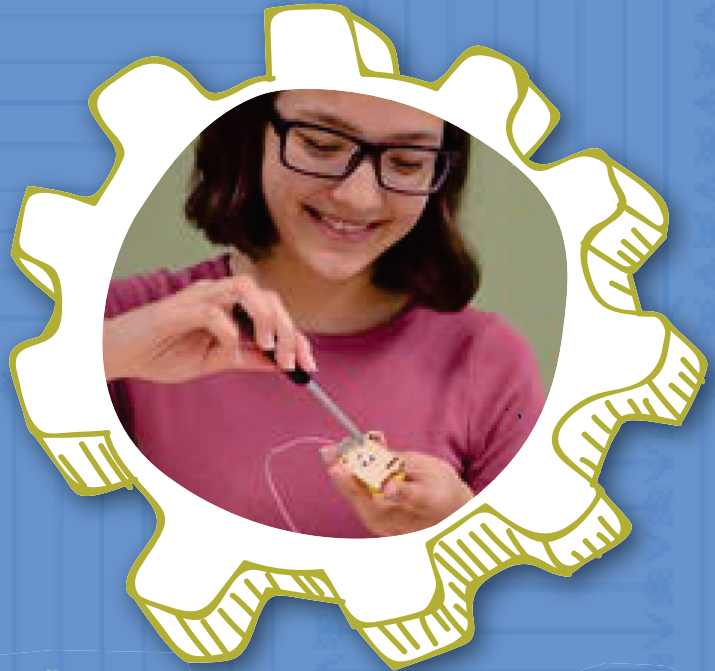


# marbleocity<sup>®</sup>

## MOTOR KIT

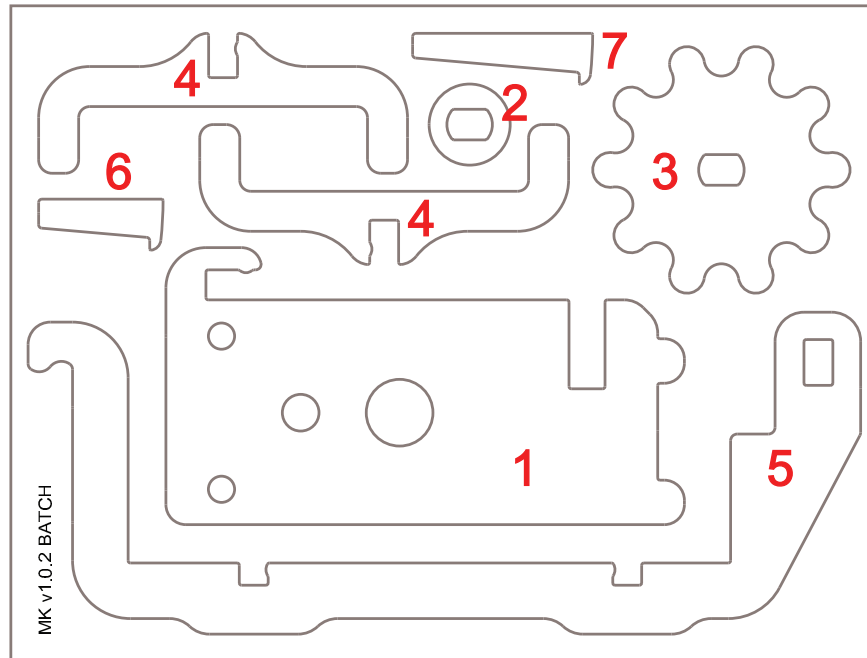
### ASSEMBLY INSTRUCTIONS

LET'S GET  
STARTED!

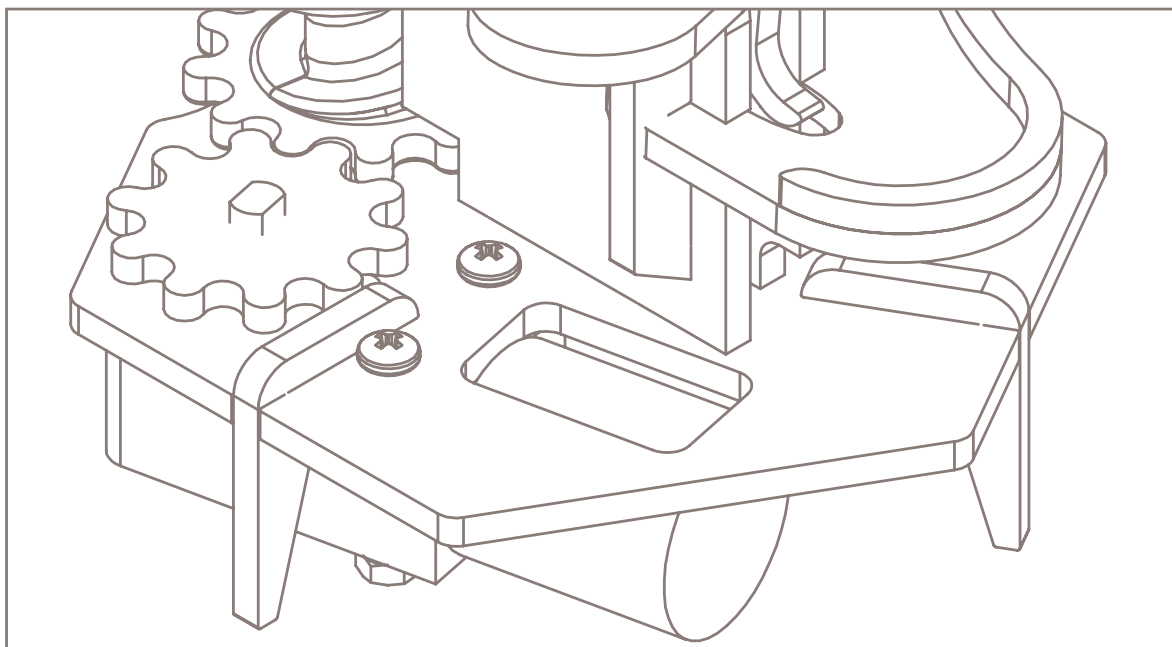


# INTRODUCTION

Thanks Mos! Let's get started. Most Marbleocity models require the motor bracket (1). If you have one of the models with a hex-shaped base, you can skip Step 1.

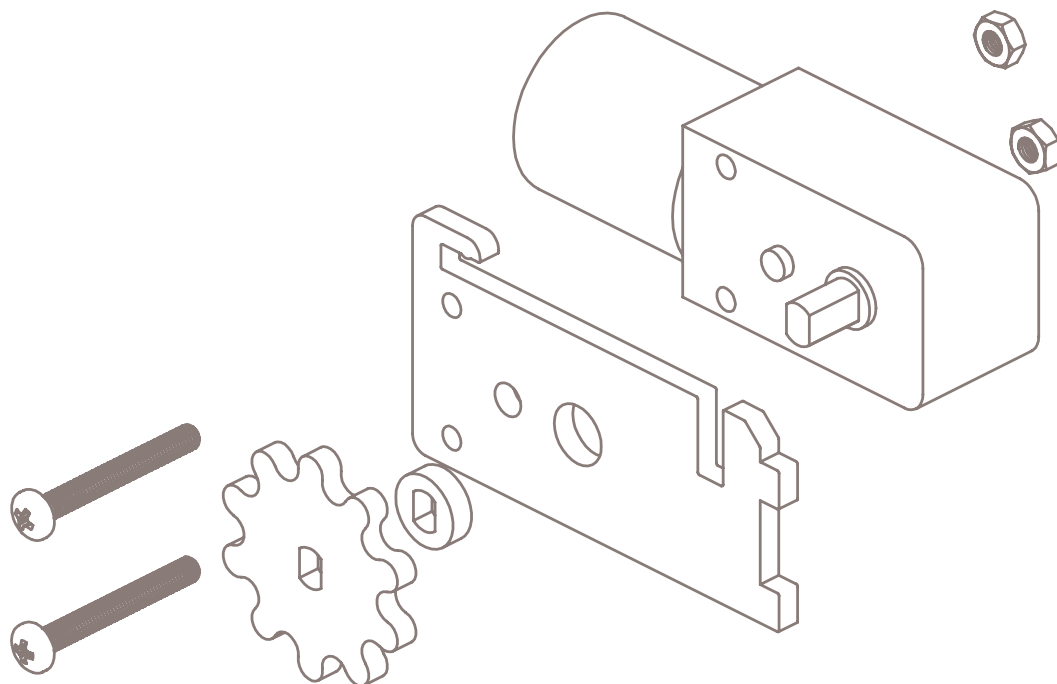


Models with hex-shaped bases install differently... skip the motor bracket (1) and bearing (2). Install the motor directly to the base as shown below and then press pinion gear (3) on from above...



# STEP 1: MOTOR BRACKET

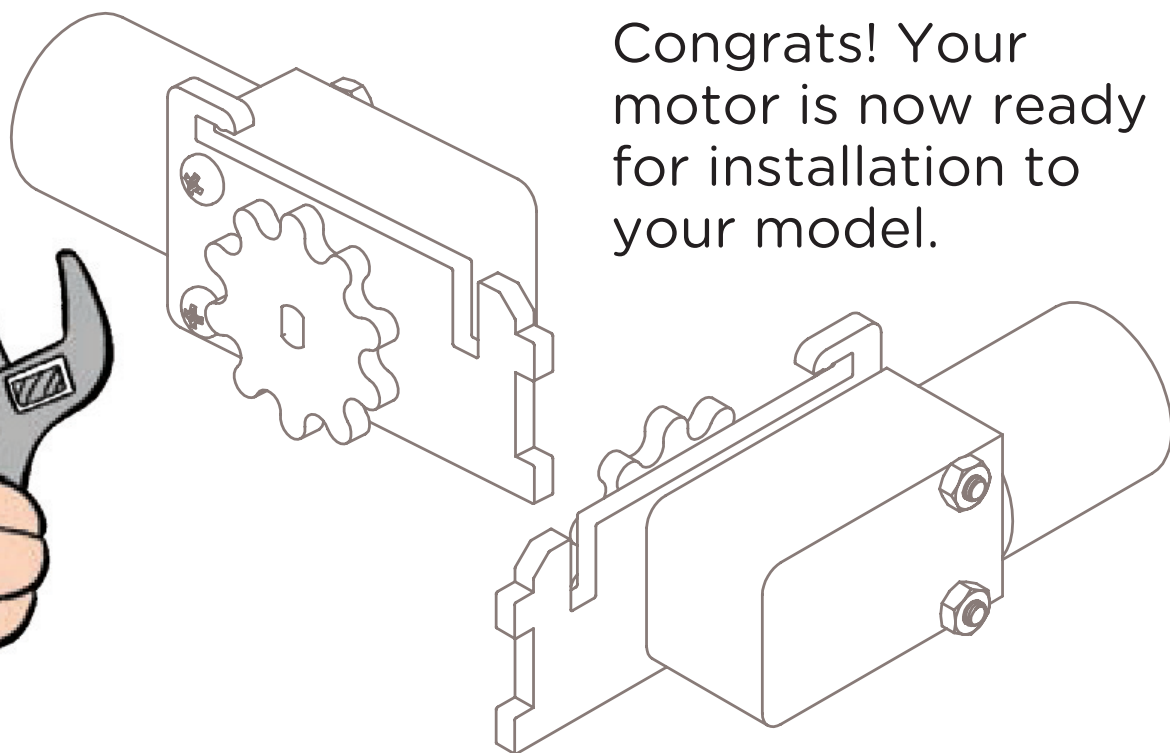
Using the included hardware, mount the motor to the motor bracket as shown. Next, without glue, press the spacer and pinion gear onto the motor.



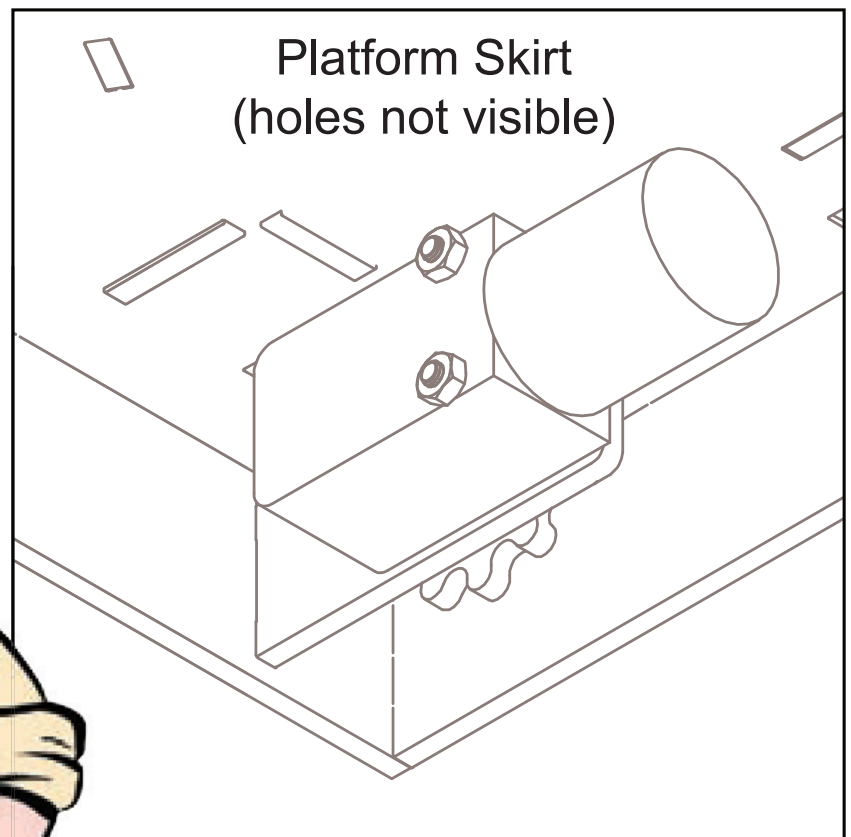
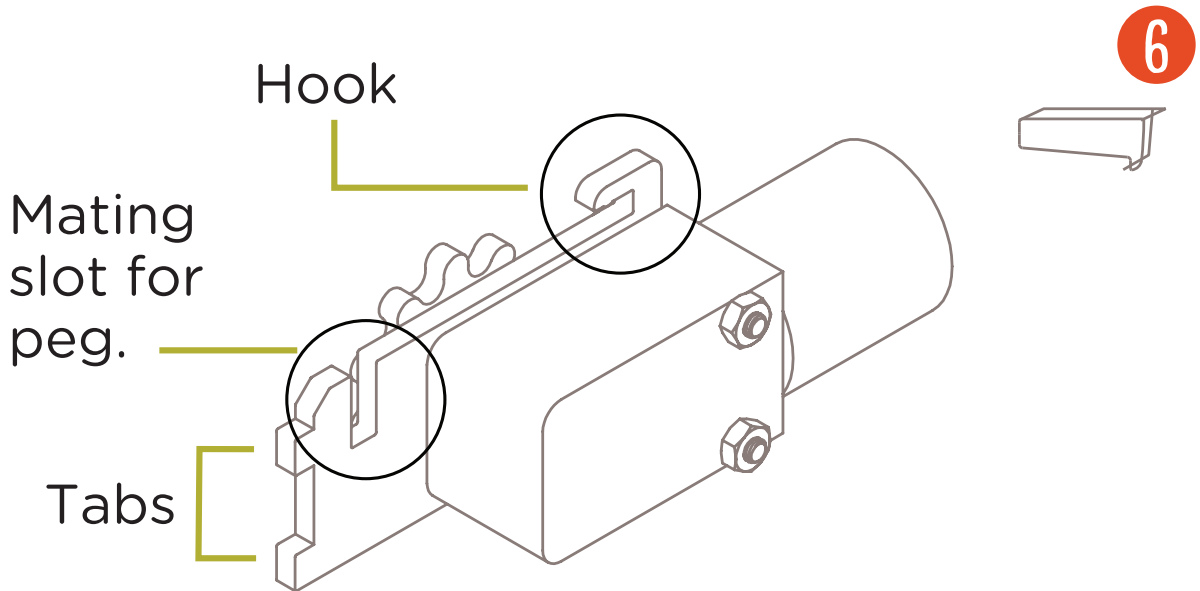
Your completed motor assembly should look like the illustrations below. For clarity, the wire leads are not shown in these drawings.



Congrats! Your motor is now ready for installation to your model.

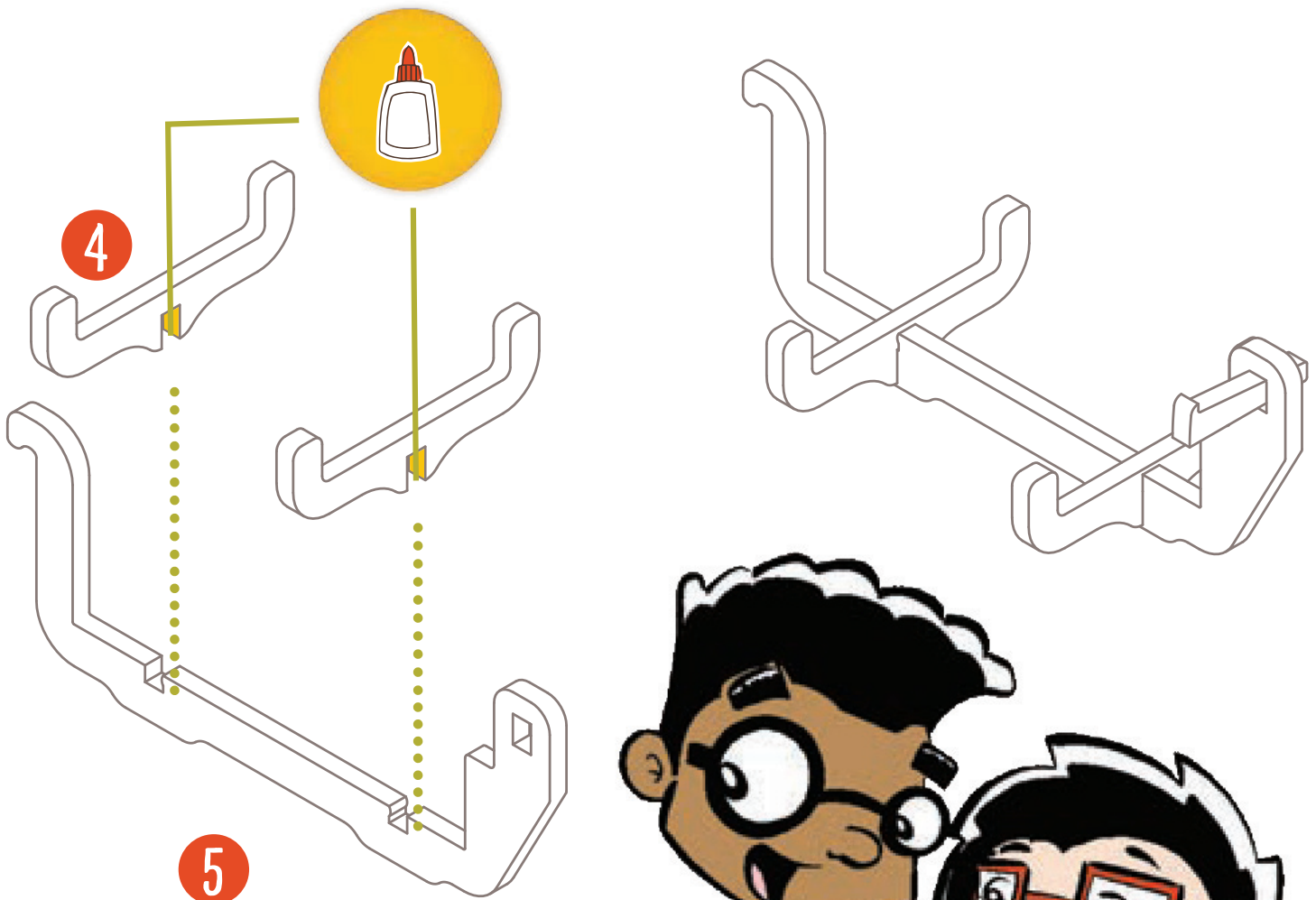


The exact location of the motor varies by model but the approach is the same. Working from below, push the hook up through the platform and then lock it in place by sliding the motor bracket over such that the two tabs mate with the receiving holes in the platform skirt. Finally, slide peg (6) into place from the top to lock the motor in place.



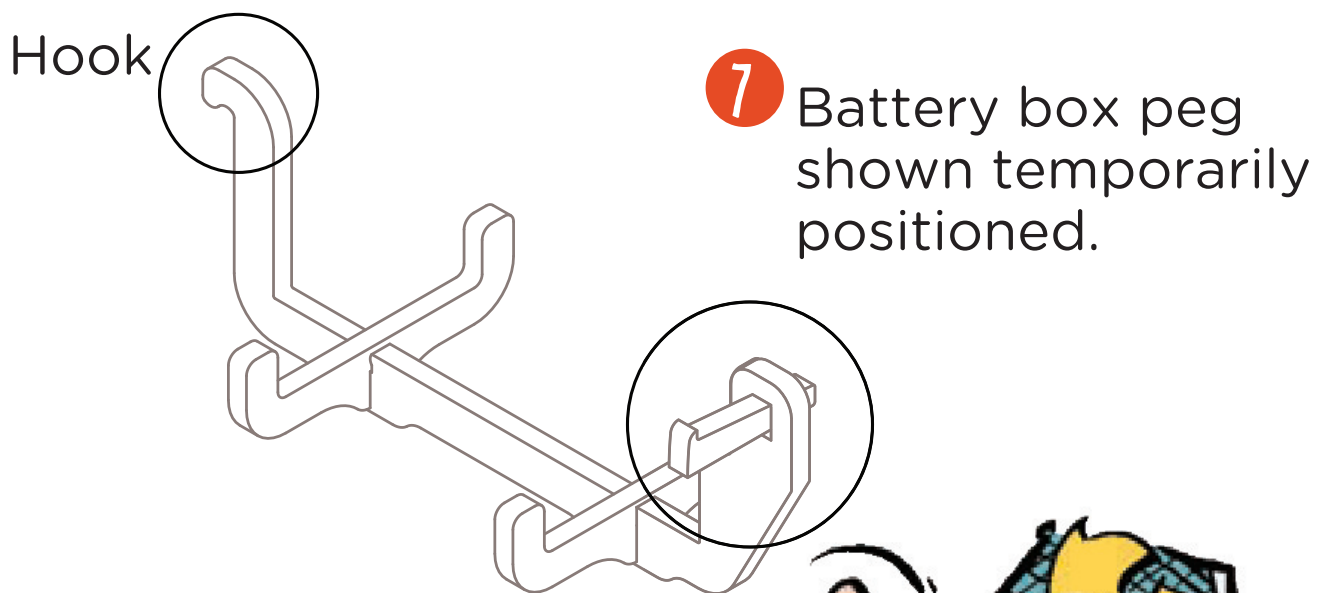
## STEP 2: BATTERY BOX BRACKET

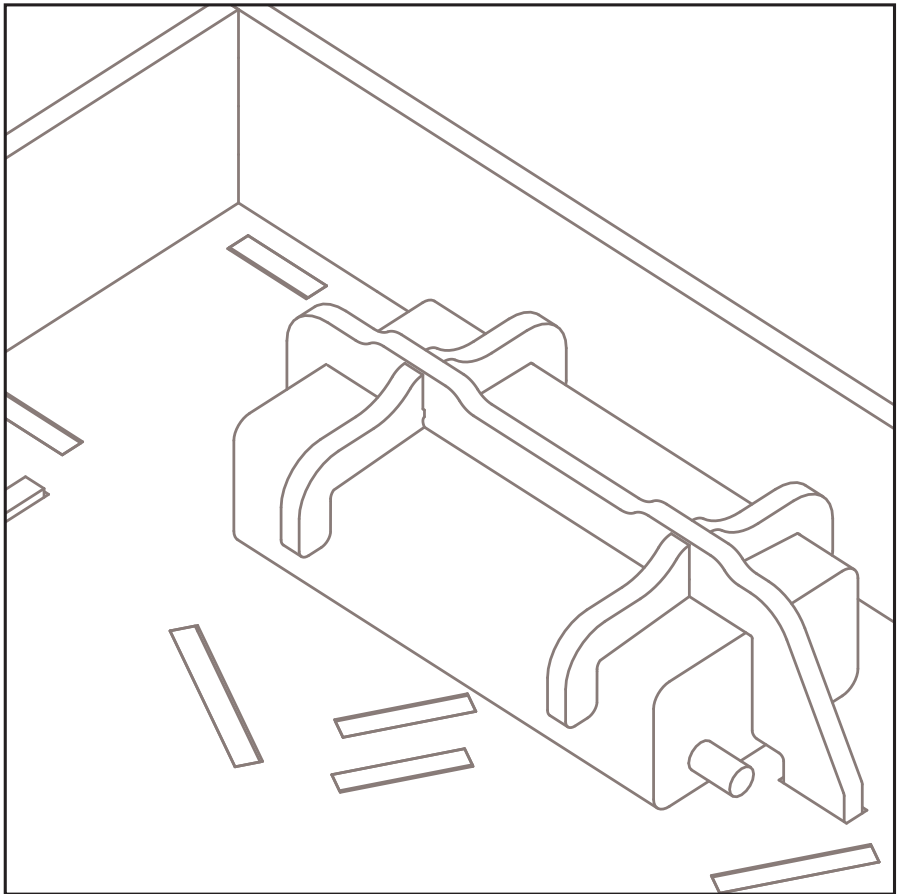
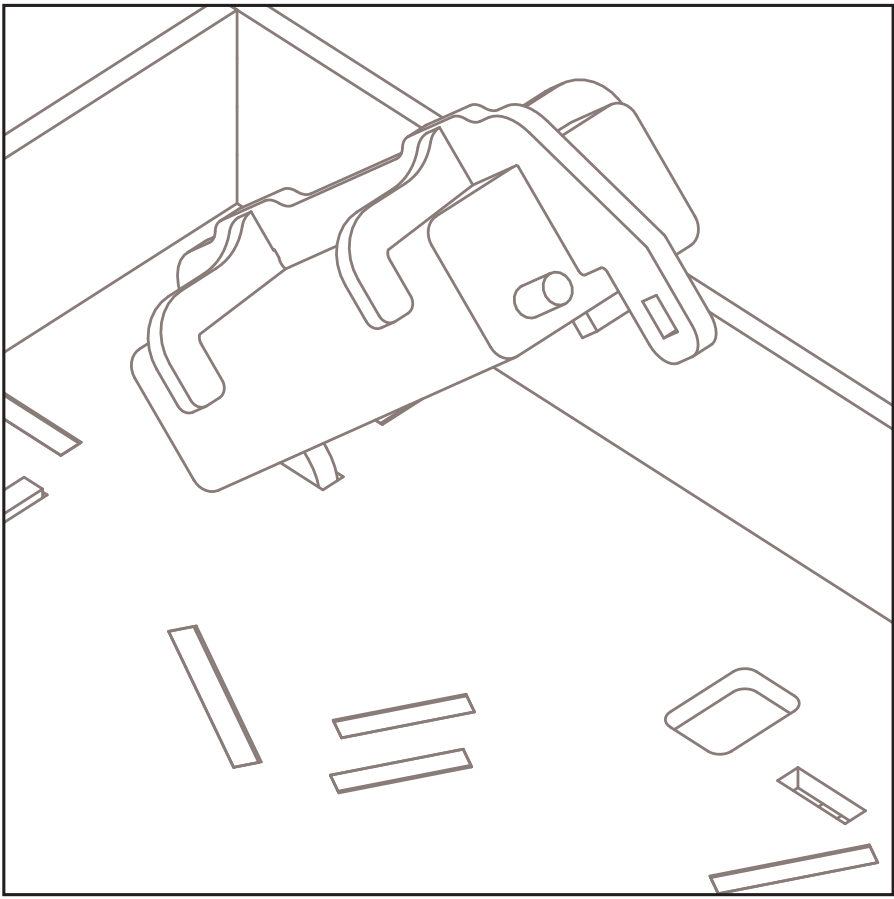
Glue your two battery box cross-braces (4) to the longitudinal brace (5). Make sure that the braces dry perpendicular to one another. Set your assembly aside to dry, completely, before installing it.





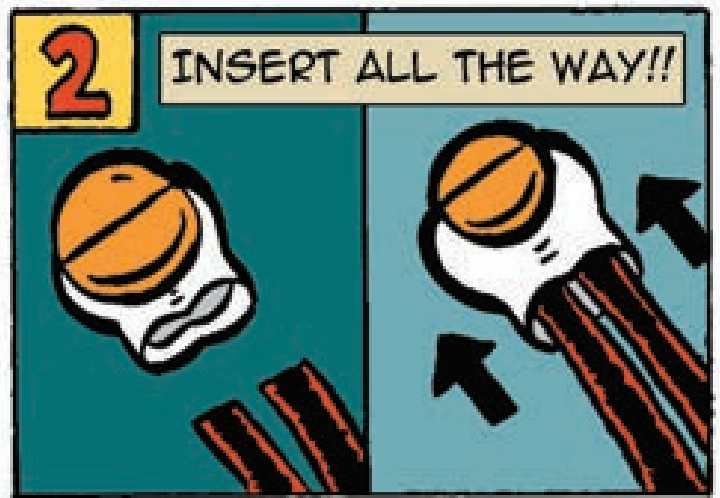
When fully dry, place your battery box into the bracket assembly you've just created. Again, locate the installation position for your particular model. Working from the underside of the platform, slip the hook end of the battery box bracket through the platform and then rotate the entire assembly into place, tight against the inside of the platform. The ON/OFF switch on the battery box should be visible through the hole in the platform. If it is not, correct the orientation. Finally, turn your model over and gently push the battery box peg (7) into place, without glue.





## STEP 3: MAKE FINAL CONNECTIONS

To make permanent connections you can use wire nuts or twist the leads together and carefully insulate each connection with black electrical tape. If your kit included two telecom connectors, they are easy to use. Start with red (+). Cut your leads flush (no exposed copper) and insert both leads all the way into the connector until you can't insert them any further. Holding the wires in place, use pliers to really crimp down on the button. If you don't use pliers, an electrical connection may not be made. Repeat with the two negative (-) leads.





# BATTERY SAFETY INFORMATION

In exceptional circumstances batteries may leak fluids that can cause a chemical burn injury or ruin your toy. To avoid battery leakage:

- Adult supervision is recommended when changing batteries.
- Non-rechargeable batteries are not to be recharged.
- Rechargeable batteries are to be removed from the toy before being charged.
- Rechargeable batteries are only to be charged under adult supervision.
- Do not mix alkaline, standard (carbon-zinc), or rechargeable batteries.
- Do not mix old and new batteries.
- Only batteries of the same or equivalent type as recommended are to be used.
- Batteries are to be inserted with the correct polarity.
- Exhausted batteries are to be removed from the toy.
- The supply terminals are not to be short-circuited.
- Dispose of batteries safely.
- Batteries may explode or leak if disposed of in a fire.
- Remove batteries from a product if it will not be used for a month or longer.
- Follow applicable laws and local regulations for the disposal and transportation of batteries.

## \*FCC INFORMATION

NOTE: This equipment has been tested and found to comply with the limits for Class B digital device, pursuant to part 15 of the FCC rules. These limits are designed to provide reasonable protection against harmful interference in a residential installation. This equipment generates, uses and can radiate radio frequency energy and, if not installed and used in accordance with the instructions, may cause harmful interference to radio communications. However, there is no guarantee that interference will not occur in a particular installation. If this equipment does cause harmful interference to radio or television reception, which can be determined by turning the equipment off and on, the user is encouraged to try to correct the interference by one or more of the following measures: -- Reorient or relocate the receiving antenna. --Increase the separation between the equipment and the receiver. --Connect the equipment into an outlet on a circuit different from that to which the receiver is connected. --Consult the dealer or an experienced radio/TV technician for help.

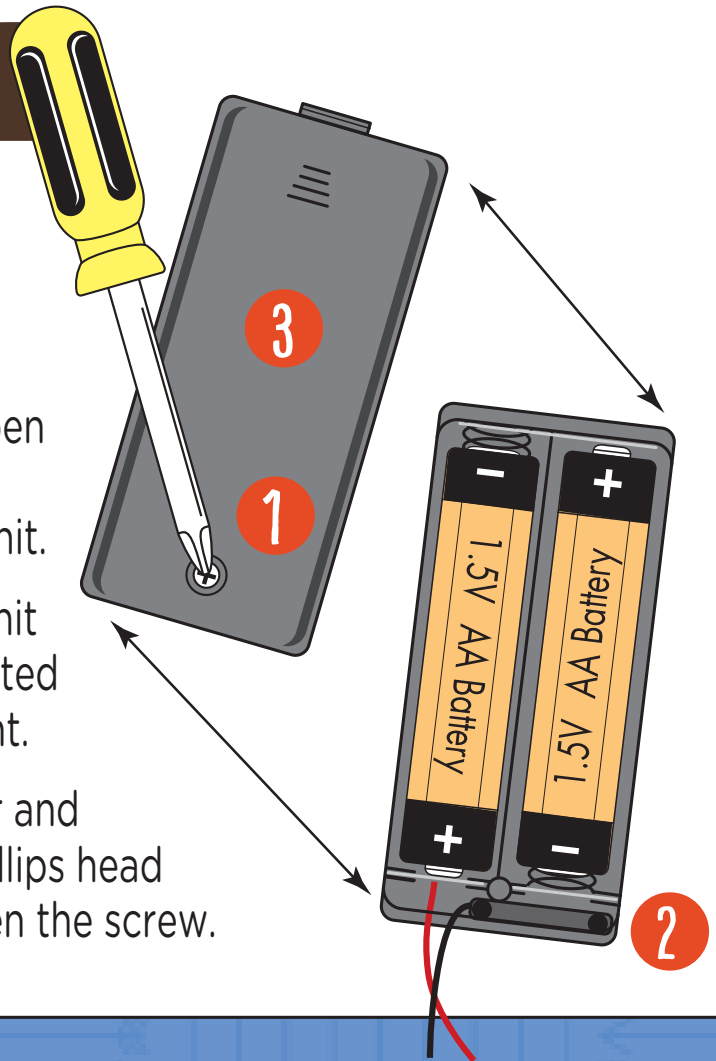
Please note that changes or modifications not expressly approved by the party responsible for compliance could void the user's authority to operate the equipment.

# BATTERY INSTALLATION

## Installing/Replacing the Batteries

This unit requires 2 AA batteries (not included) Note: Batteries should always be installed by an adult.

- 1 Use a Phillips screwdriver to open the battery compartment door located on the bottom of the unit.
- 2 Insert 2 AA batteries into the unit with + and - terminals as indicated in the the illustration to the right.
- 3 Replace the compartment door and tighten up the screw with a Phillips head screwdriver. Do not over-tighten the screw.



## WARNING: CHOKING HAZARD.

Kit contains marbles and small parts.  
Not for children under 3 years old.



**PlayMonster**



We wanna hear about all the fun you had!

Contact us at: Customer Service, 1400 E. Inman Pkwy.,  
Beloit, WI 53511 • [playmonster@playmonster.com](mailto:playmonster@playmonster.com) • 1-800-524-4263.  
For more fun, visit [playmonster.com](http://playmonster.com)

Copyright © 2017 PlayMonster LLC, 1400 E. Inman Pkwy., Beloit, WI 53511. Made in USA.  
All rights reserved. **Tinkineer** and **Marbleocity** are trademarks of PlayMonster LLC.  
Parts and colors may vary from those shown.